

Object: MOUNT G-300: ADJUSTMENT AXES DECLINATION

commencement / date up-dating document: 30.09.2001 / 20.06.2002

version arrangement: 01

set:\gs300-jile-a01.doc - using font Arial

processed by: [Jiri Lev](#)

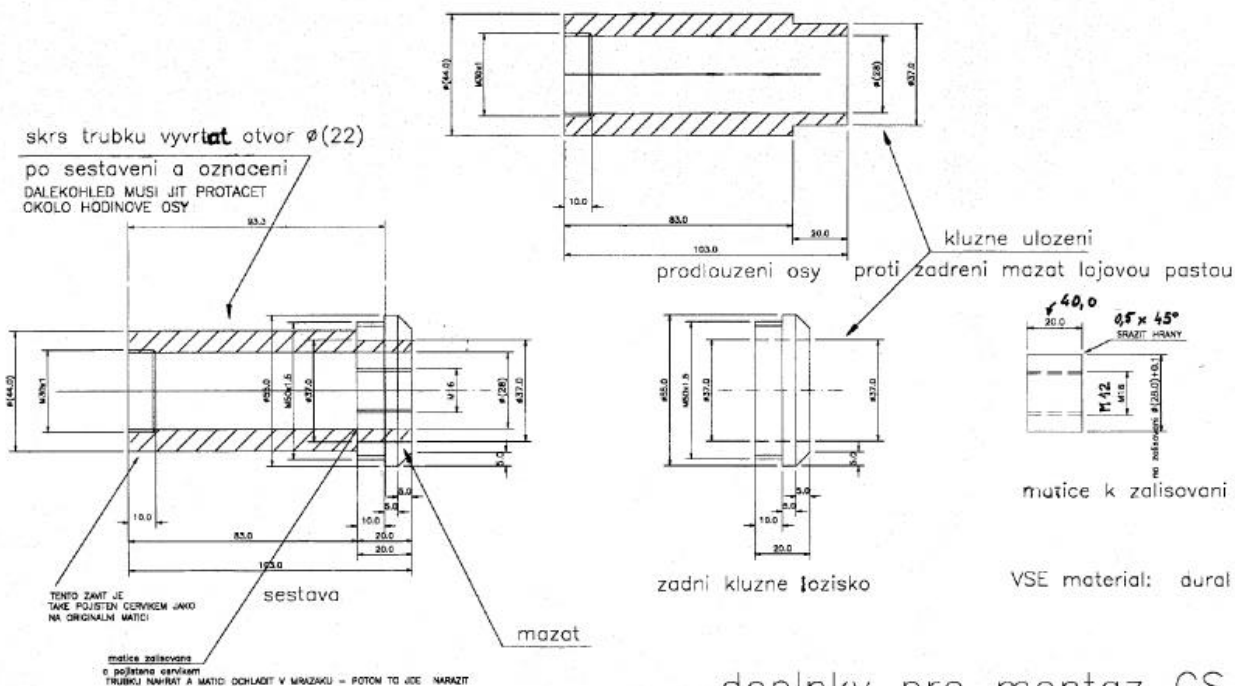
title: MOUNT G-300: ADJUSTMENT AXES DECLINATION IS NECESSARY

For scan and indication of astronomical telescope position two sensors IRC i.e. on both axes must be installed . Mount G-300 be adjusted so that axes DE turning could be conveyed to axes IRC. colleague's Ing. George LEV construction was testified in our country. author's permission allowed us to make this adjustment public.



Figure 16. (jpg) original mechanical parts removed from G-300

Figure 17. (jpg) new parts according to drawing of colleague Ing. George LEV



doplanky pro montaz GS
jile 1999
AUTOR ÚPRAVY Ing. Jiří LEV

Figure 18. (jpg) accessories of mount G-300



Figure 19. (jpg) adjustment of mount GS300 after final parts configuration