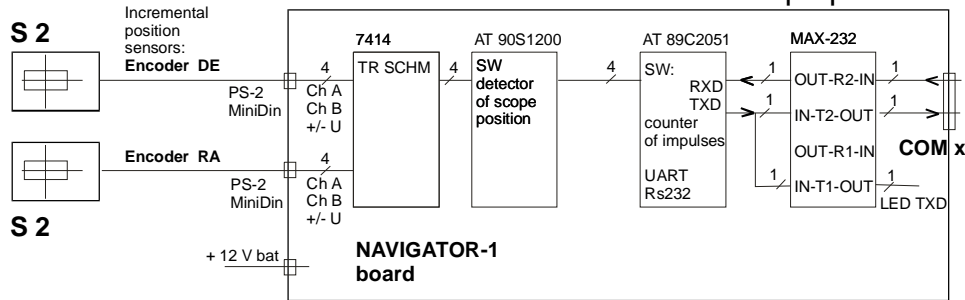


<p>(1) DOBSON mount equipment : 2x Stepper Ra, De</p> <p>Control of scope: M.Bartels HW & SW - for DOS GoTo - for Windows GoTo</p>	<p>(2) DOBSON mount equipment : 2x Encoder Ra, De</p> <p>Position of scope: HW & SW NAVIGATOR-1 (CZ)</p> <p>SW: SkyChart 2.75 Pision URANUS (CZ)</p>	<p>(3) DOBSON mount equipment : 2x Encoder Ra, De 2x Stepper Ra, De</p> <p>Control of position: HW: NAVIGATOR-1</p> <p>SW: SkyChart 2.75</p> <p>Control of steppers: M.Bartels HW & SW</p>	<p>(4) DOBSON mount equipment : 2x Encoder Ra, De 2x Stepper Ra, De</p> <p>Control & position of scope: M.Bartels HW & SW - manually - GoTo</p>	<p>Mount & Telescope</p>  <p>EMG-1 MOUNT</p>	<p>(5) EQUATORIAL mount equipment : 2x Encoder Ra, De 1x Stepper Ra & shaft coupling</p> <p>Position of scope: HW: NAVIGATOR_ (CZ)</p> <p>SW: SkyChart 2.75 <=> manually Ra, De</p> <p>Stepper control (CZ) - RA speed 24 hour</p>	<p>(6) EQUATORIAL mount equipment : 1x WEBCAM 2x Stepper Ra, De</p> <p>Control of position: SW: TV Guider (CZ) AutoGuider (CZ)</p> <p>- manually Ra, De - autpointer (photo)</p>	<p>(7) EQUATORIAL mount equipment : 2x Stepper Ra, De</p> <p>Control of steppers & Position of scope: HW & SW (in development CZ) - manually Ra, De - GoTo</p>	<p>(8) EQUATORIAL mount equipment : 2x Encoder Ra, De 2x Stepper Ra, De</p> <p>Control & position of scope: M.Bartels HW & SW - manually - GoTo</p>
-------------------------------------------------------------------------------------------------------------------------------------------------------------------	-------------------------------------------------------------------------------------------------------------------------------------------------------------------------------------------------------	----------------------------------------------------------------------------------------------------------------------------------------------------------------------------------------------------------------------------------	--------------------------------------------------------------------------------------------------------------------------------------------------------------------------------------------	--------------------------------------------------------------------------------------------------------------------------------------------------	---------------------------------------------------------------------------------------------------------------------------------------------------------------------------------------------------------------------------------------------------------------------------------------------------	-----------------------------------------------------------------------------------------------------------------------------------------------------------------------------------------------------------------------------------	------------------------------------------------------------------------------------------------------------------------------------------------------------------------------------------------------------------	------------------------------------------------------------------------------------------------------------------------------------------------------------------------------------------------

NAVIGATOR-1 encoders of telescope position



PC in configuration minimum

PC: PENTIUM 1 - alternatively higher,
Clk min 166 MHz, RAM 32 MB,
HD > 1GB, CD, Monitor 600x800 (1024x768)

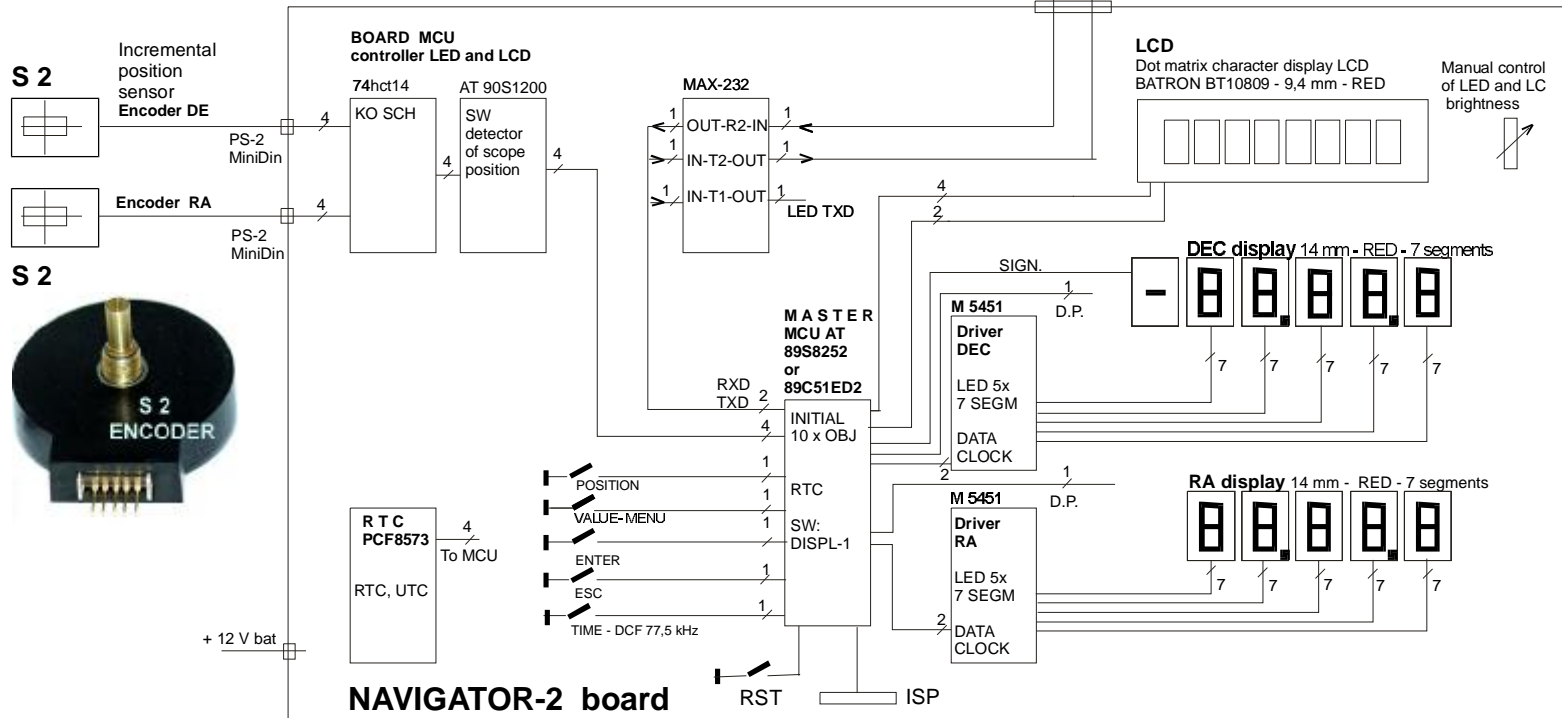
OS: Windows 98 SE, ME, 2000 ...

Communication: COM x port
< == >
Protocol OURANOS

SW1: **SkyCharts 2.75 from Patrick CHAVALLEY**
is FREE SW for EQUAT and ALT- AZ mounting

SW2: **OURANOS from Patrick DUFOUR**
for diagnostics and test of encoders IRC

NAVIGATOR-2 encoders of telescope position



Matter: FLOWCHART OF TELESCOPE CONTROL ALTERNATIVES

Timestamp: 15.11.2004
File: \scope_ctrl_flwcht_a
Processed: Jan Grener
<http://web.telecom.cz/elektro-metal/>